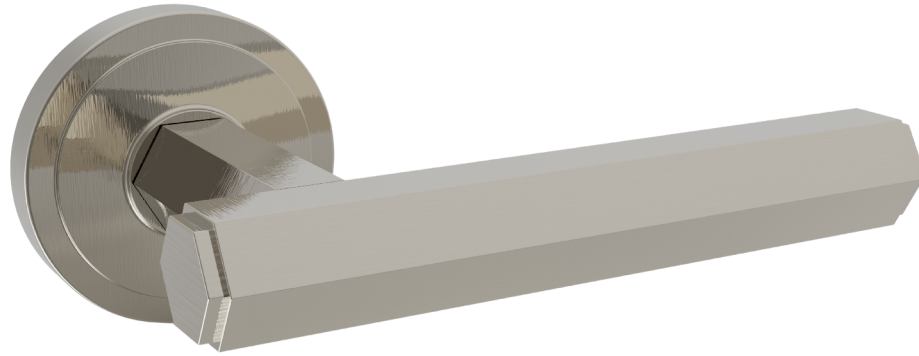




5208 Hexagonal Lever

LEVERS



Standard rose system

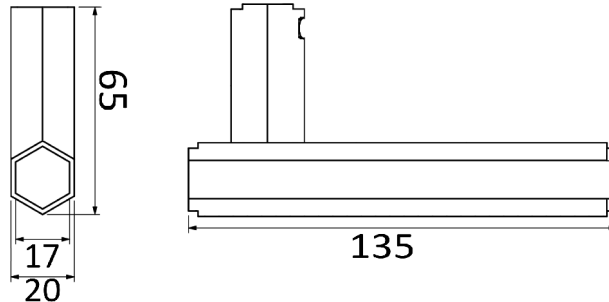
Lever with 65 mm rose for standard tubular 2-1/8" door prep

Small rose system

Lever with 52 mm rose for mortise and custom tubular door prep

Escutcheon plate system

Lever with plate for mortise functions



See "Rose Options" page for available rose options

See "Escutcheon Plate Options" page for available plate options

Tubular leversets ordering example:

5208 hexagonal lever on a contemporary rose, passage function, in satin nickel finish with 2-3/4" backset

5208	1903	PA	619	2-3/4"	
Lever design	Rose/Plate	Function	Finish	Backset	Misc.
5208	1912 (65 mm) 1905 (65 mm) SM (52 mm) SMT (54 mm) R13 (69 mm)	PA (Passage) PY (Privacy) FD (Full Dummy) SD (Single Dummy)	Per project specification	2-3/8" 2-3/4"	