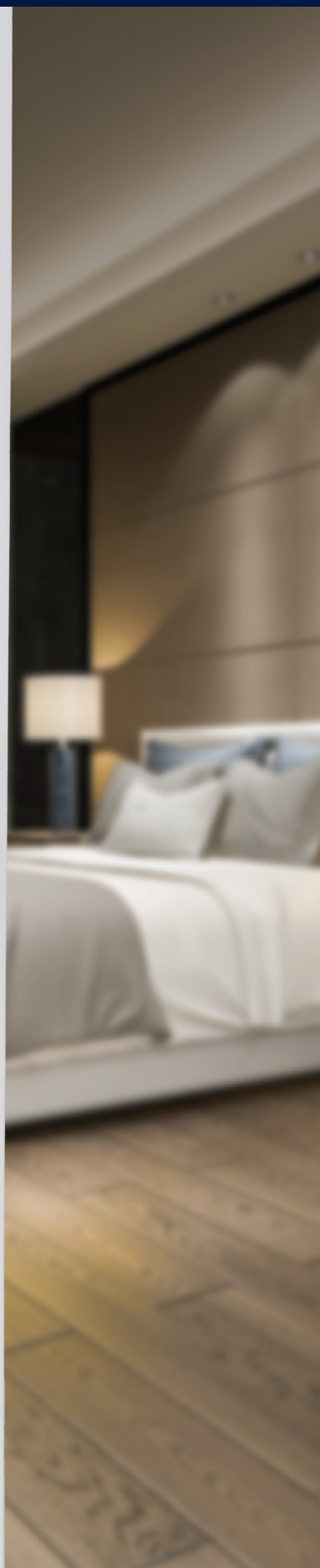




## RML Magnetic Tubular Latch

The RML magnetic tubular latch provides superior aesthetics for interior door applications where sleeker design and quieter operation are desired.



*A valued brand of*



[www.FRInternational.com](http://www.FRInternational.com)

1011 3rd Avenue SW • Carmel, IN 46032  
317-663-0030 • 1-800-238-9711

# RML Magnetic Tubular Latch

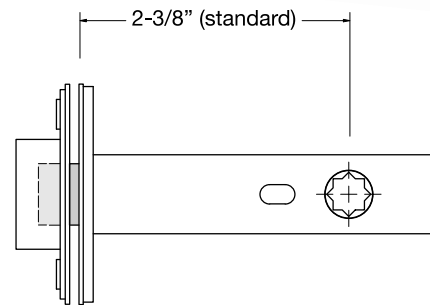
Powerful rare earth neodymium magnets imbedded in the RML latch and strike box retain the latchbolt within the door edge until the door is closed, eliminating the need for the typical protruding latch bolt

## Features:

- Eliminates the need for a protruding strike lip that interrupts the visual aesthetic of the vertical door frame
- Designed for use on both Frascio T600 tubular latchset for 2-1/8" bored hole application and T700 tubular latchset for small rose custom bored hole application
- Provides smooth 28 degree rotation and quieter operation than traditional beveled spring latches
- Eliminates the potential for visible wear on a strike lip from impact and drag of a traditional beveled spring latch
- Available in passage, communicating passage and privacy functions



Shown in closed door latchbolt position for illustration purpose



RML Specifications	
Grade	Life cycle durability compliant with ANSI Grade 2 Medium Duty Commercial
Edge Bore	1" (25 mm)
Faceplate	2-1/4" x 1" (57 mm x 25 mm) (ANSI 160 prep)
Strike Prep	2-1/4" x 1" (57 mm x 25 mm)
Door Thickness	1-3/8" (35 mm) to 1-3/4" (44 mm)
Backset	2-3/8" (60mm) standard, 2-3/4" (70 mm) also available
Handing	Non-handed

Available for use with 619, 625, 626, 629, 630 finish leversets. Contact our sales department for other finishes.

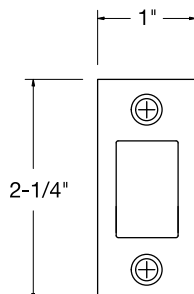
Compatible with most Frascio lever designs. Contact our sales department for specific selection guidelines.

## Strike options

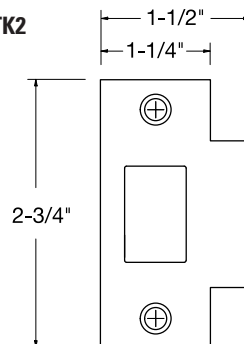
\*Latches are automatically provided with RMLSTK1 strike (unless otherwise specified) and magnetic strike box.

If used in a retrofit application where the door jamb has already been cut for a curved-lip strike, FRI offers two retrofit strike options: RMLSTK2 - to fill a T-Strike cutout, and RMLSTK3 - to fill a Full Lip Strike cutout. Both are designed for a 1-3/4" door thickness application

**RMLSTK1**  
Strike  
(standard)\*



**RMLSTK2**  
Retrofit  
T-Strike



**RMLSTK3**  
Retrofit  
Full Lip Strike

