

DPE1003

Varied, Straight Door Pull



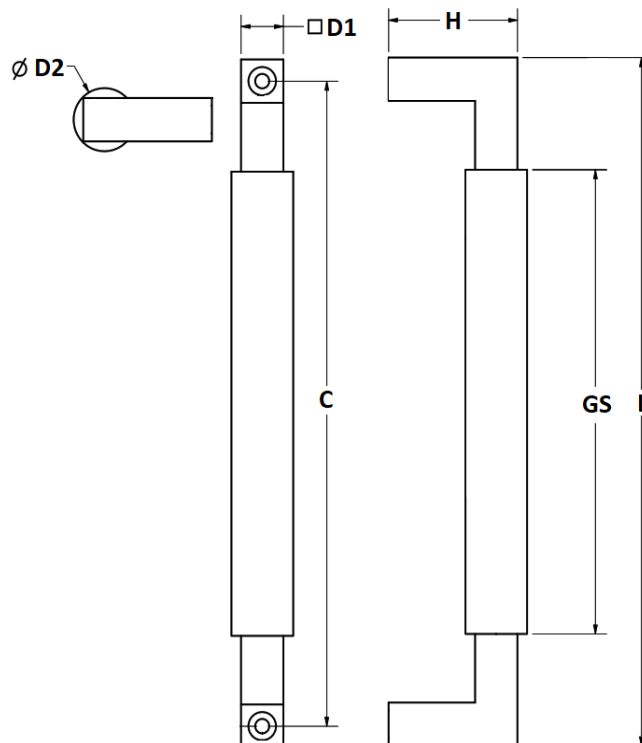
Specifications:

Material: Stainless Steel
(Brass or Aluminum Optional)

*Pairs with 6612 Marco Lever

Available Finishes:

- 630
- 629
- 622
- Dark Bronze
- Other finishes available upon request



Size Information:

- D1: 1" (25mm)
- D2: 1.38" (35mm)
- C: Per Project Specification
- H: 2.87" (73mm)
- L: Per Project Specification
- GS: Per Project Specification