



DPA4109

Round, Straight Bent Pull

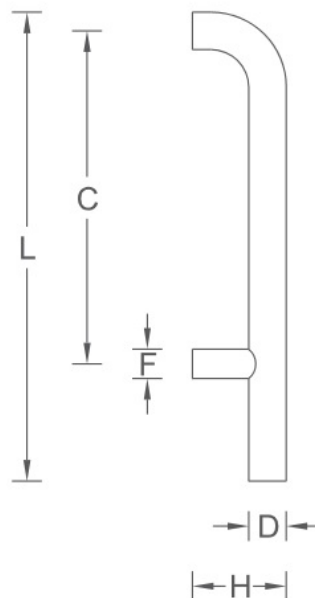


Specifications:

Material: Stainless Steel
(Brass or Aluminum Optional)

Available Finishes:

- 630
- 629
- 622
- Dark Bronze
- Other finishes available upon request



Size Information:

- D: 1.25" (32mm)
- C: Per Project Specification
(Max CTC is 15.75")
- H: 3.15" (80mm)
- L: Per project Specification
(Max L is 20.65")
- F: 1" (25mm)