

Locking Door Pulls

The clean elegance of door pulls with the security of an innovative deadbolt lock system



A valued brand of

FR International

1011 3rd Avenue SW • Carmel, IN 46032
317-663-0030 • 1-800-238-9711

FRInternational, LLC
www.FRInternational.com

Locking Door Pulls

Frascio locking door pulls add contemporary design and security functionality to door openings of all sizes. The concealed deadbolt locking system inside the pull provides a clean and elegant installation that eliminates the need for unsightly patch fittings or rails on glass door applications.

- ▶ Cylinder and turnknob located at a convenient height, reducing effort required to lock and unlock
- ▶ Multiple size, shape, design, and finish options and custom specification capability allow for unlimited combinations to meet your projects requirements
- ▶ Suites with a wide range of Frascio door pulls, lever handle designs, door stops and other trim components

FEATURES

Multiple lengths available, including custom

Multiple shapes and designs available, including custom

Multiple operating configurations available; standard is key operated from exterior, turnknob from interior

Can be used with both swinging and sliding doors

Non-keyed privacy function available as well as matching non locking pulls (dummy)

Multiple locking options: bottom bolt standard, top bolt, or dual locking available

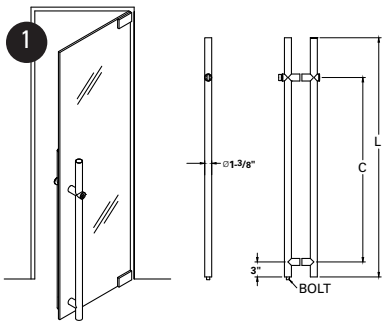
Bolt location: approximately 2-5/8" from face of door to centerline of bolt

5/8" stainless steel deadbolt with 1-1/4" throw. Includes dust proof floor strike.

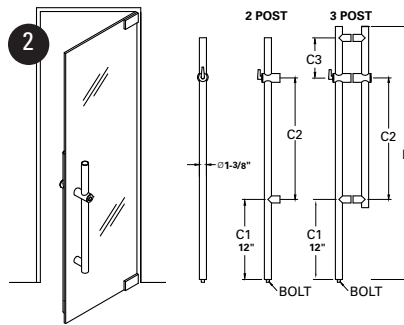
Standard door thickness range: 5/16"-3/4" glass or solid panel;
1-3/4" to 2-1/4" aluminum, hollow metal, or wood doors



Locking pull configurations

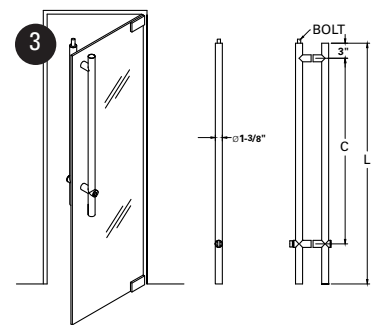


Size (L)	C	Half Height and Bottom Locking
48"	36"	
60"	48"	
72"	60"	Custom lengths available



Size (L)	C2	C3	Half Height with ADA Clearance and Bottom Locking
48" 2 post	32"		
60" 2 post	32"		
60" 3 post	32"	10"	
72" 3 post	32"	22"	Custom lengths available

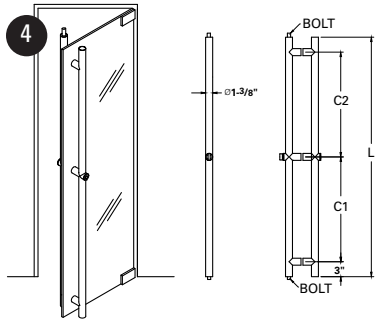
With ADA Turn Knob Specified



Size (L)	C	Half Height and Top Locking
48"	36"	
60"	48"	

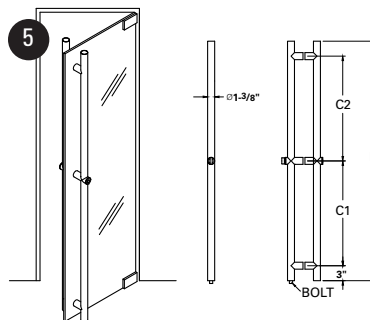
Custom lengths available

With ADA Turn Knob Specified



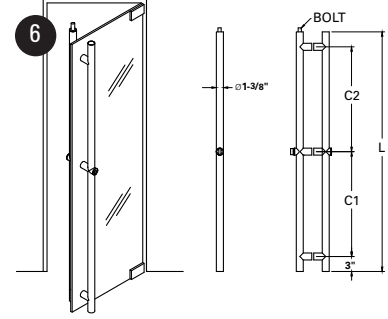
Size (L)	C1	C2	Full Height Top and Bottom Locking
84"	36"	42"	
96"	36"	54"	

Custom lengths available



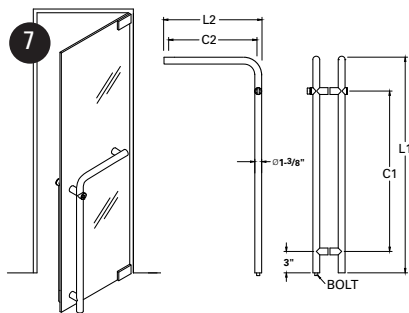
Size (L)	C1	C2	Full Height and Bottom Locking
84"	36"	42"	
96"	36"	54"	

Custom lengths available



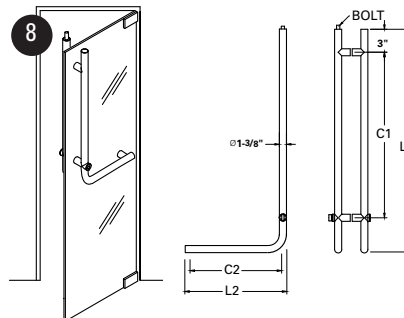
Size (L)	C1	C2	Full Height and Top Locking
84"	36"	42"	
96"	36"	54"	

Custom lengths available



C1	C2	L1	L2	Half Height with Horizontal Push Bar and Bottom Locking
36"	27"	42"	29"	

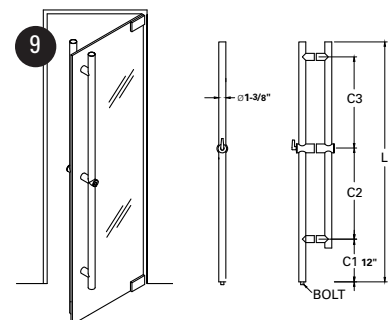
Custom lengths available



C1	C2	L1	L2	Half Height with Horizontal Push Bar and Top Locking
36"	27"	42"*	29"	

Custom lengths available

*Based on 84" door



Size (L)	C1	C2	C3	Full Height with ADA Clearance and Bottom Locking
84"	12"	32"	34"	
96"	12"	32"	46"	

Custom lengths available

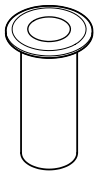
With ADA Turn Knob Specified

Technical Specifications	
Application	Architectural door pull with integrated keyed vertical rod deadbolt, for use with swinging and sliding glass, wood and metal doors
Configurations	Half and full-height options, bottom and top locking options, integrated horizontal push bar options, ADA clearance option, matching non-locking (dummy) inactive option
Material	304 grade Stainless Steel standard, aluminum available upon request
Grip	1-3/8" diameter
Grip Projection	3-5/16"
Cylinder Projection	3-13/16"
Deadbolt	5/8" diameter; 1-1/4" projection when extended; 304 grade stainless steel
Door Thickness Range	Standard 3/8 – 9/16" glass; Options for spacers for double-glazed glass, Wood/Metal doors 1-3/4" and custom thickness. Please specify
Center-to-Center and Overall Length	Standard sizes available as listed, custom sizes available. Please specify
Thumbturn	Standard as shown in image; Optional Large offset pivot thumbturn with 180 degree rotation – specify ADA
Strike	Dustproof strike standard; option with flange for fastener mounting; multiple top locking strike options available

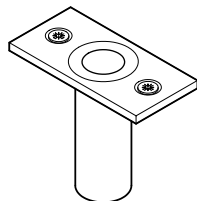
Strike options

Bottom locking

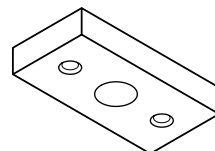
LDPS1
Floor (standard)
1-3/16" Diameter



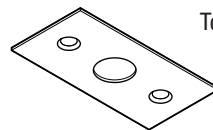
LDPS2
Floor with flange
Flange is 2-3/4" x 1-3/8"



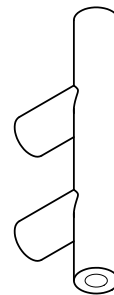
Top locking



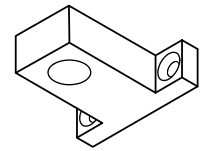
LDPS4
Top block (standard)
3" x 1-1/2" x 1/2"



LDPS3
Top plate
3" x 1-1/2" x 1/16"



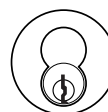
LDPS5
Top transom-single
1-3/8" Diameter x 4"
(Typical dimension, customer defined)



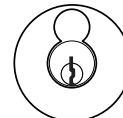
LDPS8
Top strike
2-7/16" x 1-1/2" x 1/16"

Cylinder options

The LDP1 can be configured to accommodate most keying systems including standard small format interchangeable core (SFIC), large format interchangeable core (LFIC), non-interchangeable core, and other systems.



SFIC



LFIC

Sargent
Yale
Medeco
Schlage
Corbin Russwin

Locking Door Pull — How to Order

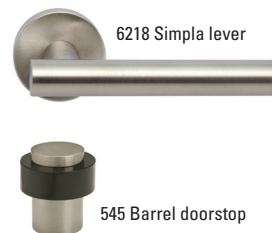
Product Category	Locking vs Non-Locking	Function	Locking Configuration	Turn Style	Panel Thickness	CTC/OAL	Finish	Cylinder Housing	Strike
LDP	1	A	1	1	A	48"	630	A	0
LDP Round tube	1 Locking	A Cylinder and turn	1 Half height and bottom locking	1 Standard turn	A 3/8"–1/2"	36"/48"	630 Satin	A Standard key cylinder	1 LDPS1 Floor (standard)
LDPO Square tube	2 Non-locking (dummy pull)	B Cylinder only	2 Half height with ADA clearance pull and bottom locking	2 ADA turn	B 9/16"–3/4"	48"/60"	629 Polished	B SFIC	2 LDPS2 Floor with flange
		C Turn only	3 Half height and top locking	3 Locking with no turn	C 1-3/4"	60"/72" (Specify for Top Locking and Custom)	622 Matte Black	0 Non-locking	3 LDPS3 Top plate
		D No inside grip	4 Full height and top and bottom locking	0 Non-locking (dummy pull)	D Specify		(Specify) Custom finishes available upon request	C Euro profile	4 LDPS4 Top block (standard)
		E Turn x turn	5 Full height and bottom locking		E Double glazed			D Schlage LFIC	5 LDPS5 Top transom—single (standard)
		F Cylinder x Cylinder	6 Full height and top locking					E Sargent LFIC	6 LDPS6 Top transom—BTB
		N Non-locking (dummy)	7 Half height with horizontal push bar and bottom locking					F Medeco LFIC	7 LDPS7 Top plate
			8 Half height with horizontal push bar and top locking					G Yale LFIC	8 LDPS8 Top strike
			9 Full height bottom locking with ADA staggered					H Corbin Russwin LFIC	0 N/A
			10 Custom					I Salto Geo/Neo	
			0 Non-locking (dummy pull)						

Finish options



Design suiting

FR International offers designers easy access to products that match Frascio locking door pulls to levers, standard pulls and accessories for a unified aesthetic across an entire project.



Custom Locking Pulls

Custom options related to tube shape and configuration are also possible. Contact us with your design needs to learn more about the solutions available.



FR International, LLC
1011 3rd Avenue S.W.
Carmel, Indiana USA 46032
Tel: (317) 663-0030
Fax: (317) 663-0029
Toll Free: 1-800-238-9711
www.FRInternational.com